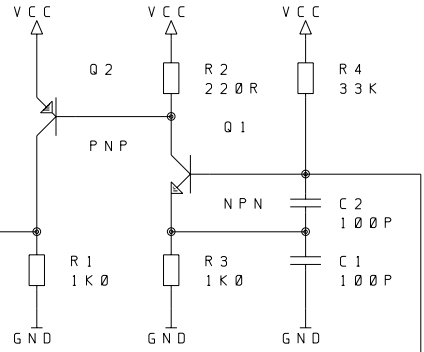
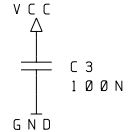


MACH Power :
 VCC: 22 44
 GND: 1 12 23 34



PINS 1..20

PINS 21..40

AS APPLICABLE

| | | |
|-------------------------------------|--------------------------------|------------|
| (C)1997 Bodo Wenzel | | |
| Title Adaptor MACH ULA | | |
| Size A4 | Document Number ZX81VID.SCH | REV 1.0 |
| Date: December 9, 1997 Sheet 1 of 1 | | |